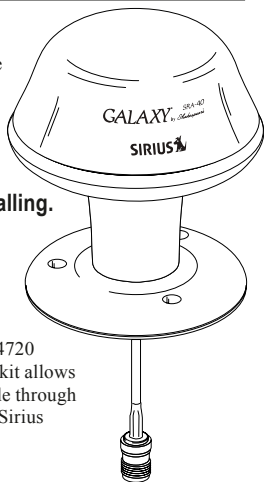


Thank you for choosing a Shakespeare product. Shakespeare works hard to build reliability and durability into all of its products for maximum customer satisfaction. Customer comments are welcome. Before installing, please study the diagram and check parts supplied against those listed.

IMPORTANT: Please read all instructions before installing.

The Shakespeare Galaxy® Style SRA-40 Satellite Radio Antenna is a versatile antenna for receiving Sirius Satellite Radio. The antenna's versatile mounting permits attaching the antenna directly to a flat surface, to the included Pedestal Mount kit, to an optional extension mast (1"-14 thread), or to a Shakespeare Style 4720 Rail Mount (sold separately). When the pedestal base is used, the kit allows routing the antenna's coax cabling with or without passing the cable through the mounting surface. In all cases, a receiver capable of receiving Sirius Satellite Radio is required (not supplied).



Supplied parts:

- (1) SRA-40 Antenna with 6' cable and TNC Female connector
- (1) 25' Coax Cable with TNC Male and SMB connectors

The length of the cable run from the antenna to the satellite radio receiver can be extended by using the one of the cable kits listed on page 6 (each sold separately). Note: These cables replace the 25' cable supplied with the antenna, and must be used as supplied. They cannot be lengthened, shortened, or connected together as extensions.

- (1) Bag containing: (1) Extension shaft, (1) Lockwasher, (1) Retaining nut
- (1) 1"-14 Thread Adapter
- (1) Rubber O-ring
- (1) Surface Mounting Flange
- (1) Mounting Gasket with knife-slit for passing the coax cable
- (3) Self-tapping stainless steel mounting screws

This instruction sheet

Tools required: Screwdriver. Marking pencil, drill and drill bits (9/16", 7/64"), needle nose pliers, or other tools appropriate to your specific application may also be needed.

Required materials: Silicone Sealer (RTV) when flush mounting

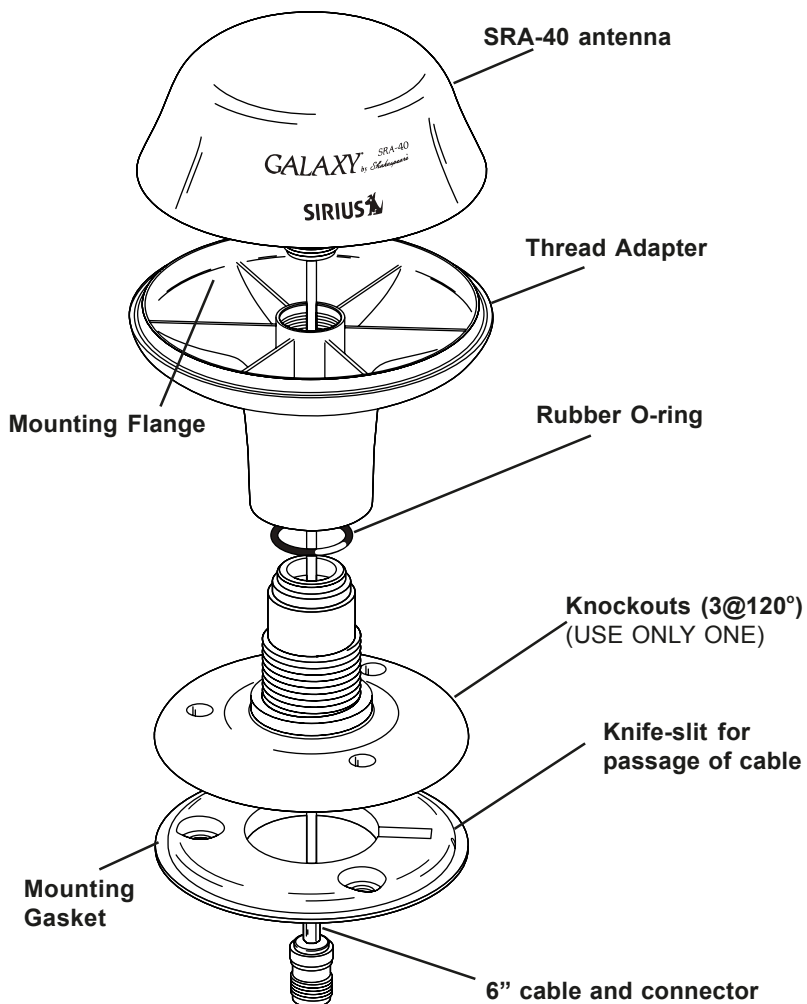
**DO NOT CUT OR ALTER THE ANTENNA CABLE.
DO NOT REMOVE ITS CONNECTOR.**

Step 9: Attach the Thread Adapter with antenna to the Mounting Flange.

IMPORTANT: Rotate the cable counterclockwise while turning the Thread Adapter clockwise. Make sure the cable turns freely and does not bind.

Step 10: Firm up the mounting screws, but do not over tighten.

Skip to “Completing the installation” on page 5.



DO NOT CUT THE CABLE OR REMOVE THE CONNECTOR!

Step 3: Secure the antenna to the mounting surface with the supplied retaining nut and lock washer (see Figures 2 & 3). A small bead of RTV around the outer edge of the antenna base is recommended to insure a watertight seal.

Skip to “Completing the installation” on page 5.

PEDESTAL MOUNTING

If you are attaching the antenna/pedestal assembly to a flat surface, the cable with its connector attached can be routed through a 9/16” hole drilled in the mounting surface, or passed through the Mounting Flange. **Do not cut the cable and do not remove the connector.**

If you are running the cable through the mounting surface:

Step 1: Drill a 9/16” center hole for the antenna cable. When drilling fiberglass surfaces, use a small backup block of scrap wood to control push-through splintering. Use caution to avoid drilling through or near fuel lines, fuel tanks, hydraulic lines, or electrical wiring.

Step 2: Attach the Thread Adapter to the SRA-40 antenna; then attach the Mounting Flange to the Thread Adapter and place the Mounting Gasket in the Mounting Flange (refer to the diagram at right). Orient the antenna so that the Galaxy® name faces forward (or otherwise as you prefer). Mark a pencil line on the flange and the mounting surface to serve as an index in step 6b.

Step 3: While holding the Mounting Gasket to the surface, lift off the assembly and use the Mounting Gasket as a template to mark locations for the mounting screws.

Step 4: The supplied mounting screws will accommodate most surfaces. If you find them too long, too short, or otherwise unsuitable for your application, substitute wood screws, machine screws/washers/nuts, or other hardware (not supplied). Be sure to use *only* stainless steel hardware. If you find it too difficult to start the screws, drill 7/64” pilot holes.

Step 5: Unscrew the Mounting Flange from the Thread Adapter and place the Mounting Gasket in the Mounting Flange.

Step 6a: Attach the Mounting Flange and gasket to the surface, oriented according to the mark made in step 2. Use the supplied self-tapping screws or other stainless steel hardware (not supplied). Do not overtighten.

Step 7a: Attach the Thread Adapter with antenna to the Mounting Flange.

Skip to “Completing the installation” on page 5.

If you are running the cable through the side of the Mounting Flange:

Follow Steps 2 through 5 above. Then:

Step 6b: Use needle nose pliers to break off **one** of the three cable knockouts in the Mounting Flange, as determined and marked in step 2 above. The choice of knockout **must** be determined in step 2. (See illustration on page 2)

Step 7b: Position the cable in the gasket’s knife-slit while fitting the gasket into position in the Mounting Flange.

Step 8: LOOSELY attach the Mounting Flange with Gasket to the surface, orienting it according to the mark made in step 2. Use the supplied self-tapping screws or other stainless steel hardware (not supplied). Do not overtighten.

Choose a mounting location. The SRA-40 antenna must be mounted horizontally in a location that is open and has a clear view of the sky. It must be mounted away from any metal objects or other structures that could block the line-of-sight reception of the satellite signal. The height of the antenna is not as important as having a clear view of the horizon. To determine the best location for the SRA-40, hold the Satellite Shooter template (back page) horizontally at the chosen mounting location and follow the instructions on the template. Scan a full circle with the Shooter to make sure no obstacles block the antenna's view of the sky from overhead.

The Mounting Flange requires a flat, not curved surface, or the antenna can be mounted on the 1"-14 thread end of a marine antenna extension mast or a Shakespeare Style 4720 Rail Mount (each sold separately). The antenna's cable can be routed through a hole in the mounting surface, through the Mounting Flange, or through the extension mast.

IMPORTANT: When mounting to a flat surface using the mounting flange and gasket, orient the Mounting Flange so that its cable exit faces the rear of the vessel or vehicle, away from oncoming wind due to normal vessel or vehicle motion. Mount the SRA-40 so that it does not interfere with safe operation of the vessel or vehicle.

In choosing how and where to mount the antenna, consider the accessibility of the area underneath, and whether the area is clear of any wires or other obstructions. Choose a convenient pathway for running the coax cable as far as possible from other electrical cables.

If the distance between the antenna and your Satellite receiver is more than 25 feet, special Shakespeare cable kits are available (see Optional Accessories, back page). Acquire the appropriate kit before proceeding.

SURFACE MOUNTING

If you are attaching the antenna directly to a flat surface, the cable with its connector attached can be routed through a 9/16" hole drilled in the mounting surface.

Do not cut the cable and do not remove the connector.

Step 1: Drill a 9/16" mounting hole. For mounting surfaces from 1/4" to 1" thick, use the extension shaft (supplied).

- Route the 6" antenna lead with TNC female connector through the center of the extension shaft.
- Thread the Extension Shaft onto the existing antenna shaft and tighten.

Step 2: Pass the connector, cable, and shaft (if used) from the SRA-40 through the hole.

FIGURE 1

Direct surface mounting for surfaces up to 1/4" thick

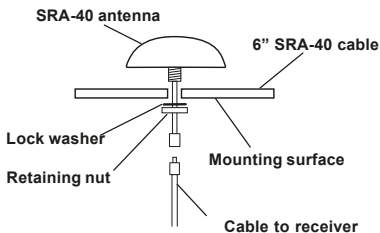
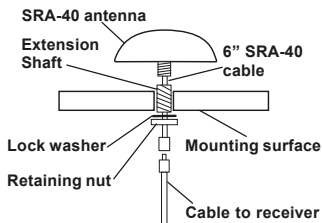


FIGURE 2

Direct surface mounting for surfaces 1/4" - 1" thick



EXTENSION MAST OR RAIL MOUNTING

If you are attaching the antenna to a marine extension mast or rail mount:

Step 1: Route the 6” cable from the antenna through the thread adapter.

Step 2: Screw the antenna onto the thread adapter.

Step 3: Route the 25’ (or optional) cable through the extension mast or rail mount.

Step 4: Attach the 25’ cable’s connector to the connector on the 6” antenna cable.

Step 5: Screw the antenna assembly onto the extension mast or rail mount. **IMPORTANT: Rotate the cable counterclockwise while turning the antenna assembly clockwise. Make sure the cable turns freely and does not bind.**

SPECIAL NOTE: The hole in ratchet-type antenna mounts will not accommodate the SRA-40’s connector. You must use the included flange mount, a rail mount, or an extension mast, which will allow the cable and its connector to pass through. **Do not cut the cable and do not remove the connector.**

Skip to “Completing the installation,” below.

Completing the installation

Step 1: Route the cable to your satellite radio receiver.

IMPORTANT: If your satellite receiver has two antenna input terminals, the optional SRS-1 Splitter may be required. Newer models may differ, so consult your dealer or Shakespeare for up-to-date information.

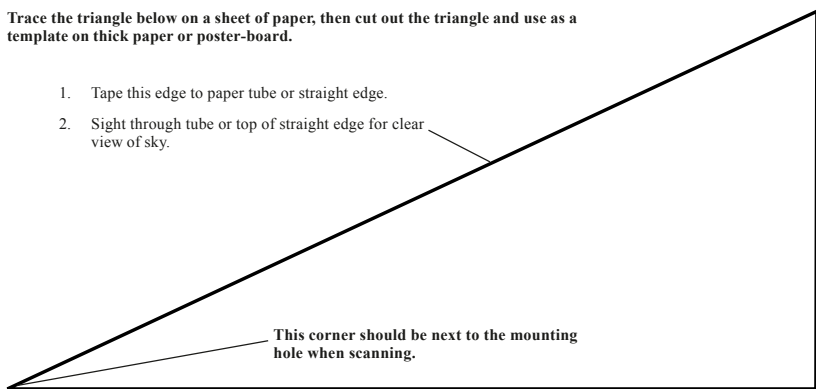
Step 2: Attach the SMB connector to your satellite radio receiver. See the receiver’s manual for precautions and instructions. Done!



Satellite Shooter Template

Trace the triangle below on a sheet of paper, then cut out the triangle and use as a template on thick paper or poster-board.

1. Tape this edge to paper tube or straight edge.
2. Sight through tube or top of straight edge for clear view of sky.



This corner should be next to the mounting hole when scanning.

This edge must be kept horizontal at the mounting location

Optional Accessories

SRS-1	DC Voltage Splitter for antenna cables up to 50'
SRS-2	DC Voltage Splitter for antenna cables over 50'
SRC-35	35' RG-58 cable kit with connectors
SRC-50	50' RG-58 cable kit with connectors
SRC-90	90' RG-8X cable kit with connectors
SRC-135	135' RG-8X cable kit with connectors and inline amplifier
SM-30	Low-Profile Surface Mounting Kit for locations without access under the antenna for attaching nuts and bolts.

The length of the cable run from the antenna to the satellite radio receiver can be extended by using the one of the optional cable kits listed above. Note: These cables **replace** the 25' cable supplied with the antenna, and must be used as supplied. They cannot be lengthened, shortened, or connected together as extensions.

Shakespeare[®]

Electronic Products Group

6111 Shakespeare Rd., Columbia, SC 29223 · 803-227-1590 · Fax: 803-419-3099

www.shakespeare-marine.com